

The New

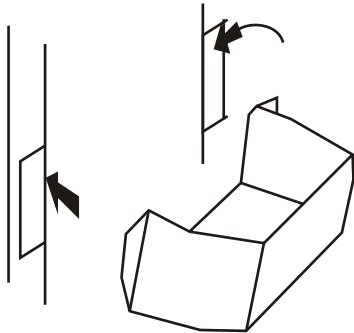
dina meri®



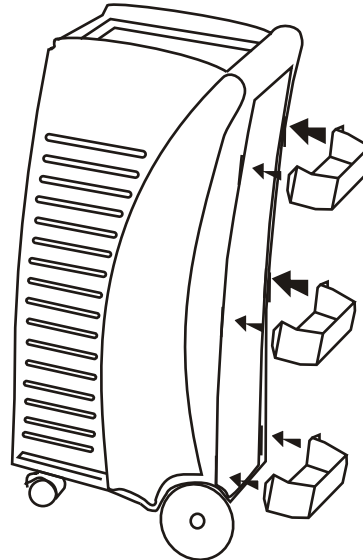
V·E·N·E·Z·I·A

POCKETS/WHEELS INSTALLATION INSTRUCTION

1. Insert The Left Edge Of A Pocket Into The Top Left Notch On The Back Of The Venezia Cart.

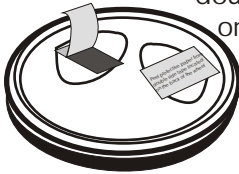


2. Bend Opposite Edge Of Pocket In-Ward and By Angling The Pocket You Can Slip The Other Edge Into The Right Notch.

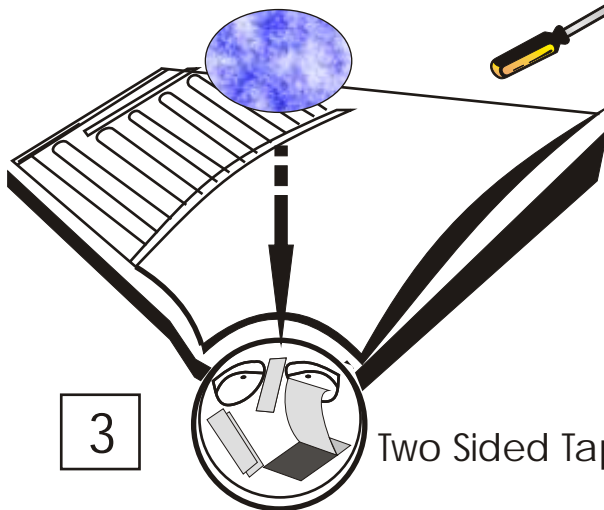
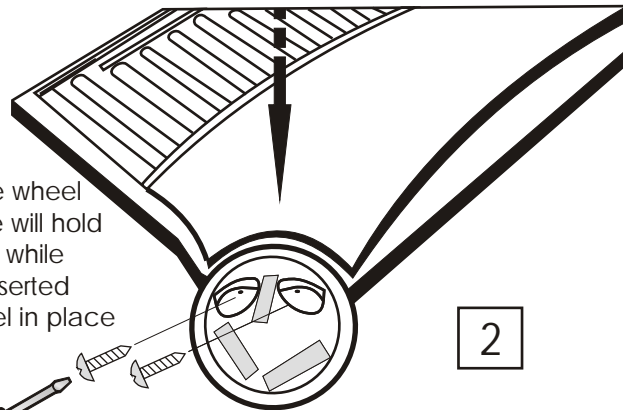


Repeat For The Remaining Pockets

1. Peel protective paper from double side tape located on the back of the wheel



2. Carefully place the wheel as shown, the tape will hold the wheel in place while the 2 screws are inserted to secure the wheel in place



3. Peel the protective paper from the double side tape located on the front of the wheel. Carefully place the round decorative laminate cover and press firmly.

Repeat this step for the other wheel.

3

Two Sided Tape

FOR ANY QUESTION PLEASE CALL THE NUMBER BELOW, TO ORDER ADDITIONAL ACCESSORIES CONTACT YOUR LOCAL DEALER OR CONTACT:

The New DINA MERI 1545 MACARTHUR BLVD., COSTA MESA, CALIFORNIA 92626
TEL. (800) 621-4461, (714) 546-6767, FAX (714) 751-8732 E-MAIL: info@dinameri.com
www.dinameri.com